

UK Installation instructions

FI Asennusohje

LV Instalācijas instrukcija

DE Montageanleitung

FR Notice de montage

NO Monteringsanvisning

CZ Montážní návod

HU Szerelési útmutató

PL Instrukcja montażu

DK Monteringsvejledning

IT Istruzioni di montaggio

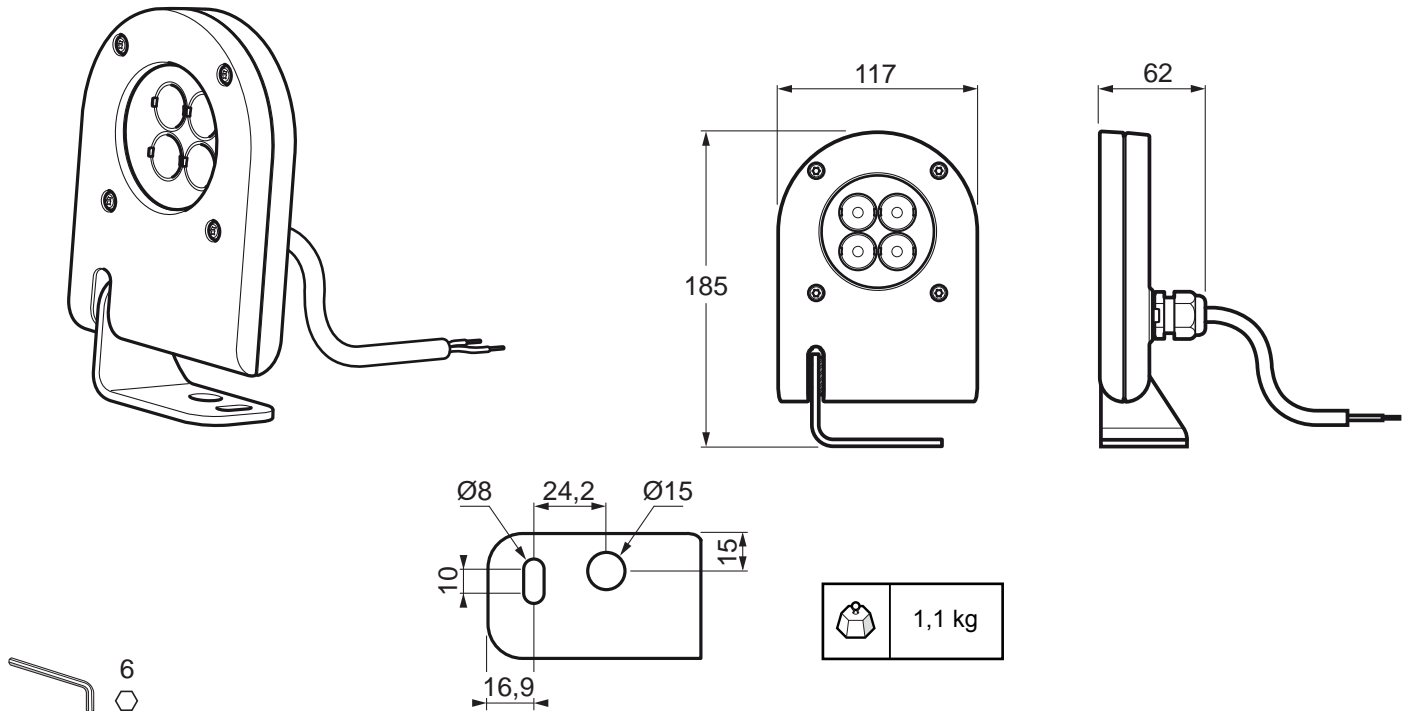
SE Installationsanvisning

EE Paigaldusjuhend

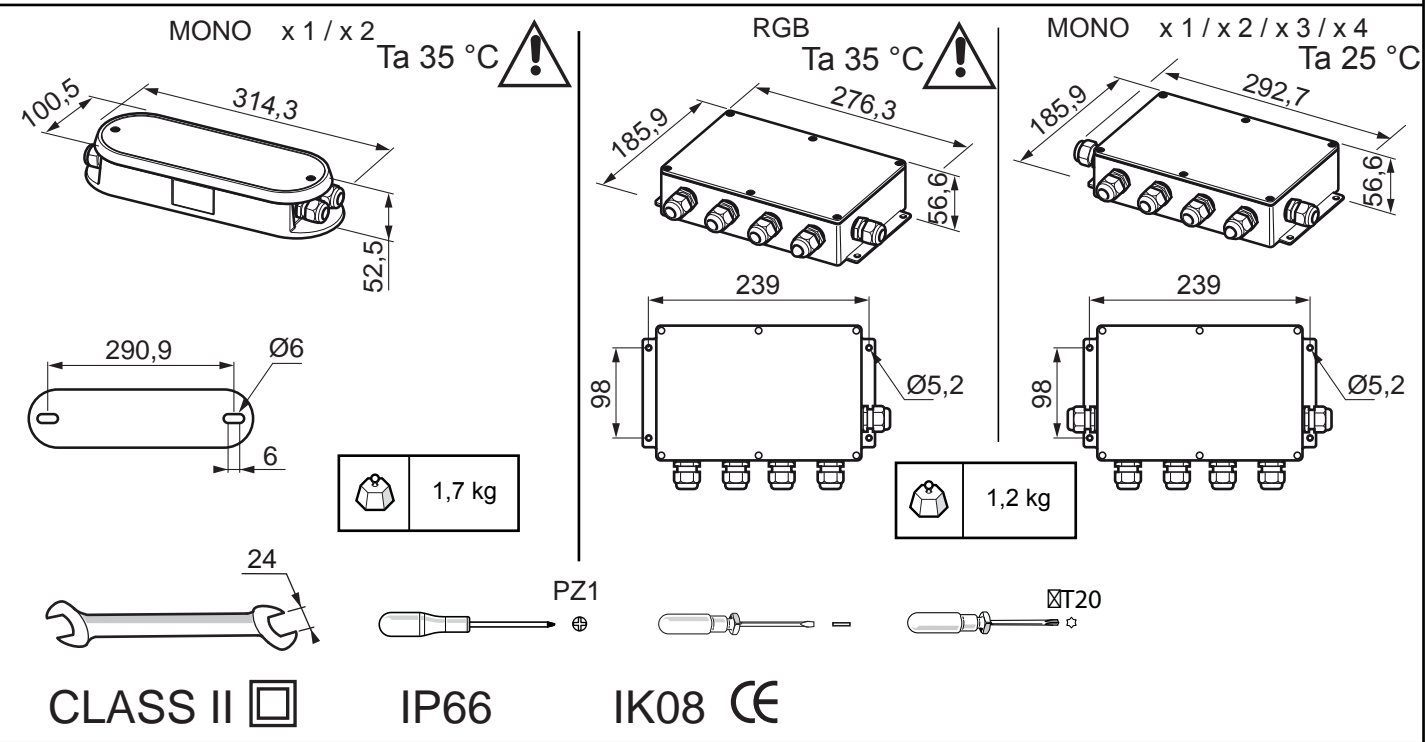
LT Montavimo Instrukcijos

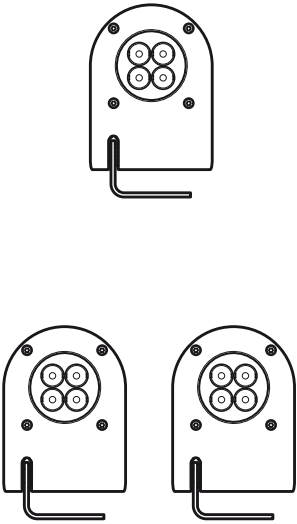
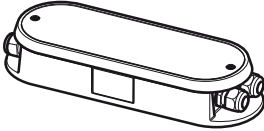
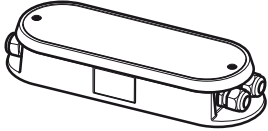
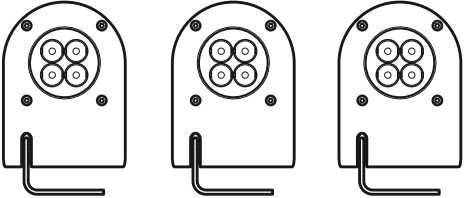
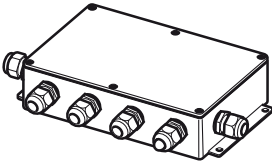
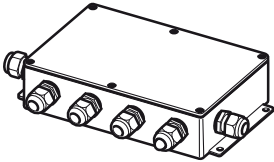
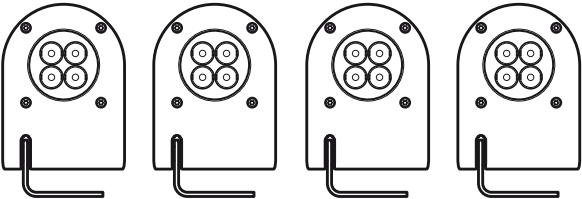
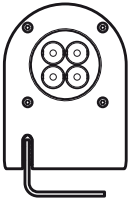
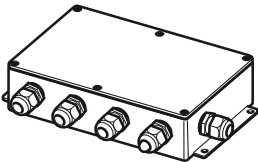
RU ИНСТРУКЦИЯ ПО МОНТАЖУ

TYPE : CONTRAST 2 LED S

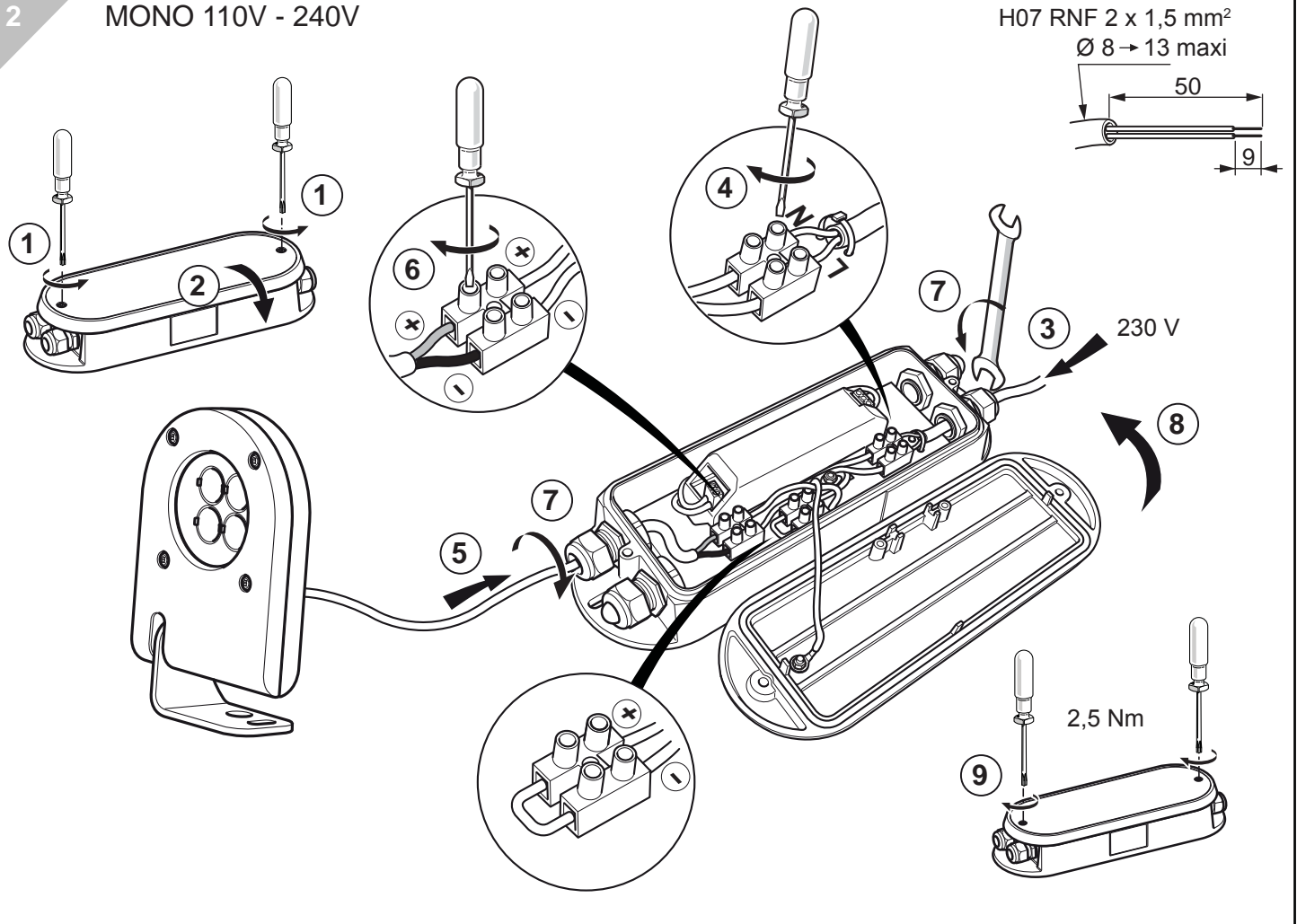


LED CLASS III IP66 IK08 Ta 50 °C The luminaire with clear optic should be positioned so that prolonged staring into the luminaire at a distance <2m is not expected

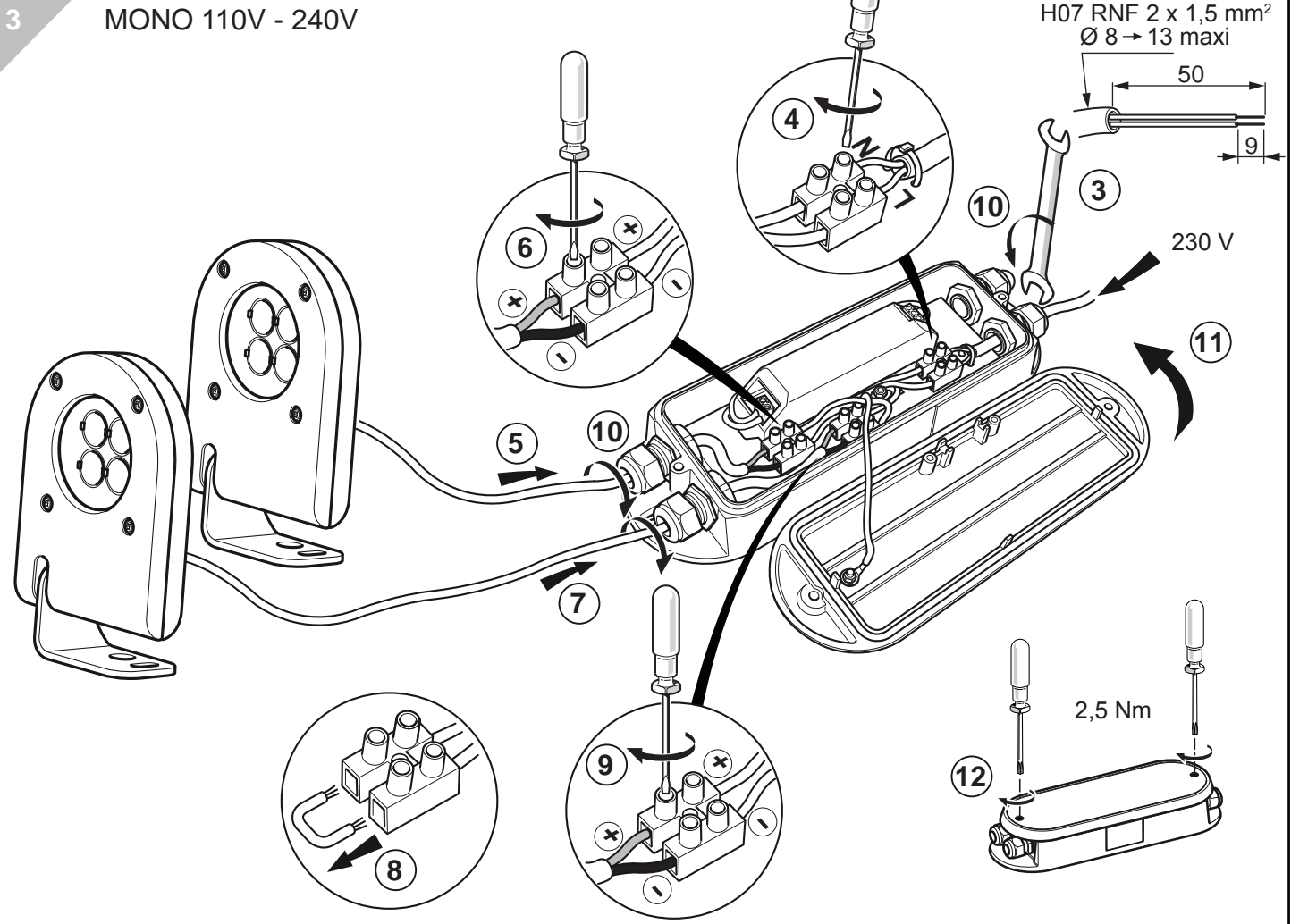


<p>1</p>	<p>MONO</p>	<p>COLOUR 700 mA</p>	<p>WHITE 1A</p>
	 <p>Code : 96261898</p>	 <p>Code : 96261425</p>	
	 <p>Code : 96261899</p>	 <p>Code : 96261427</p>	
			
<p>RGB DMX</p>	<p>700 mA</p>		
	 <p>Code : 96261426</p>		

2 MONO 110V - 240V



3 MONO 110V - 240V



4

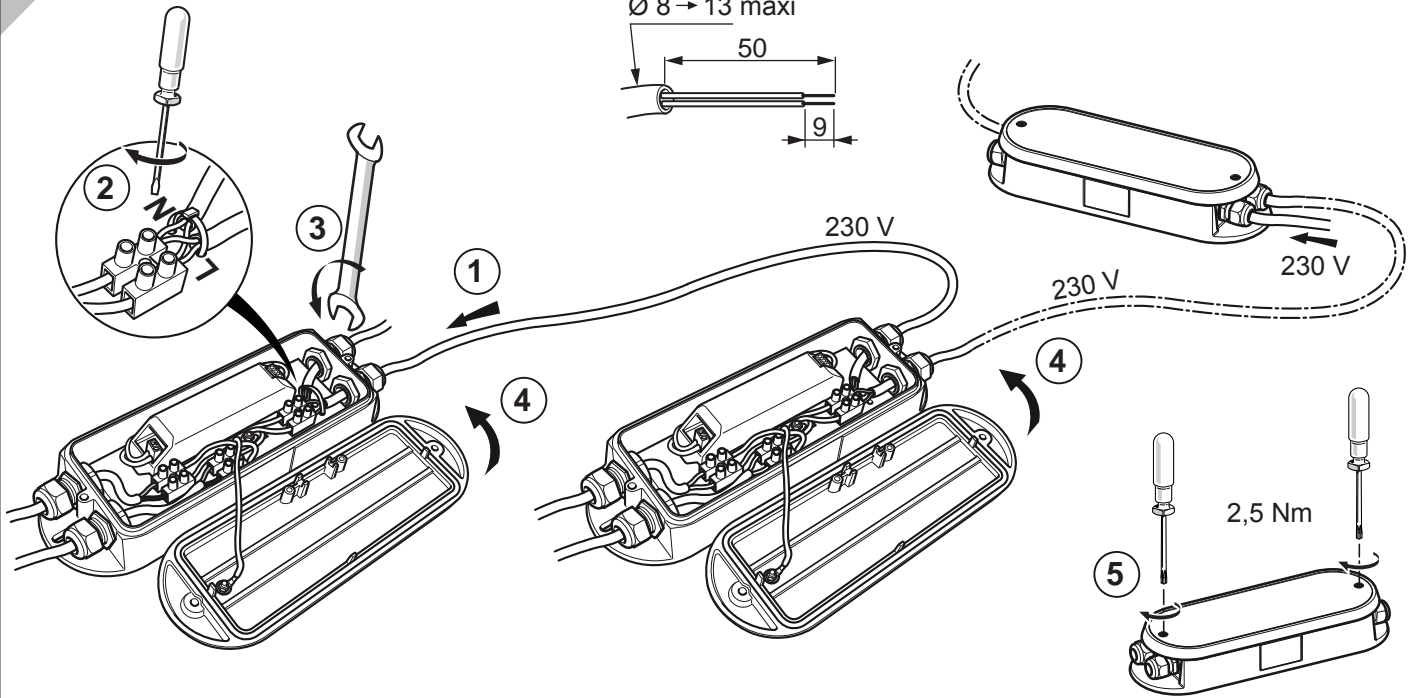
MONO 110V - 240V

H07 RNF 2 x 1,5 mm²

Ø 8 → 13 maxi

50

9



5

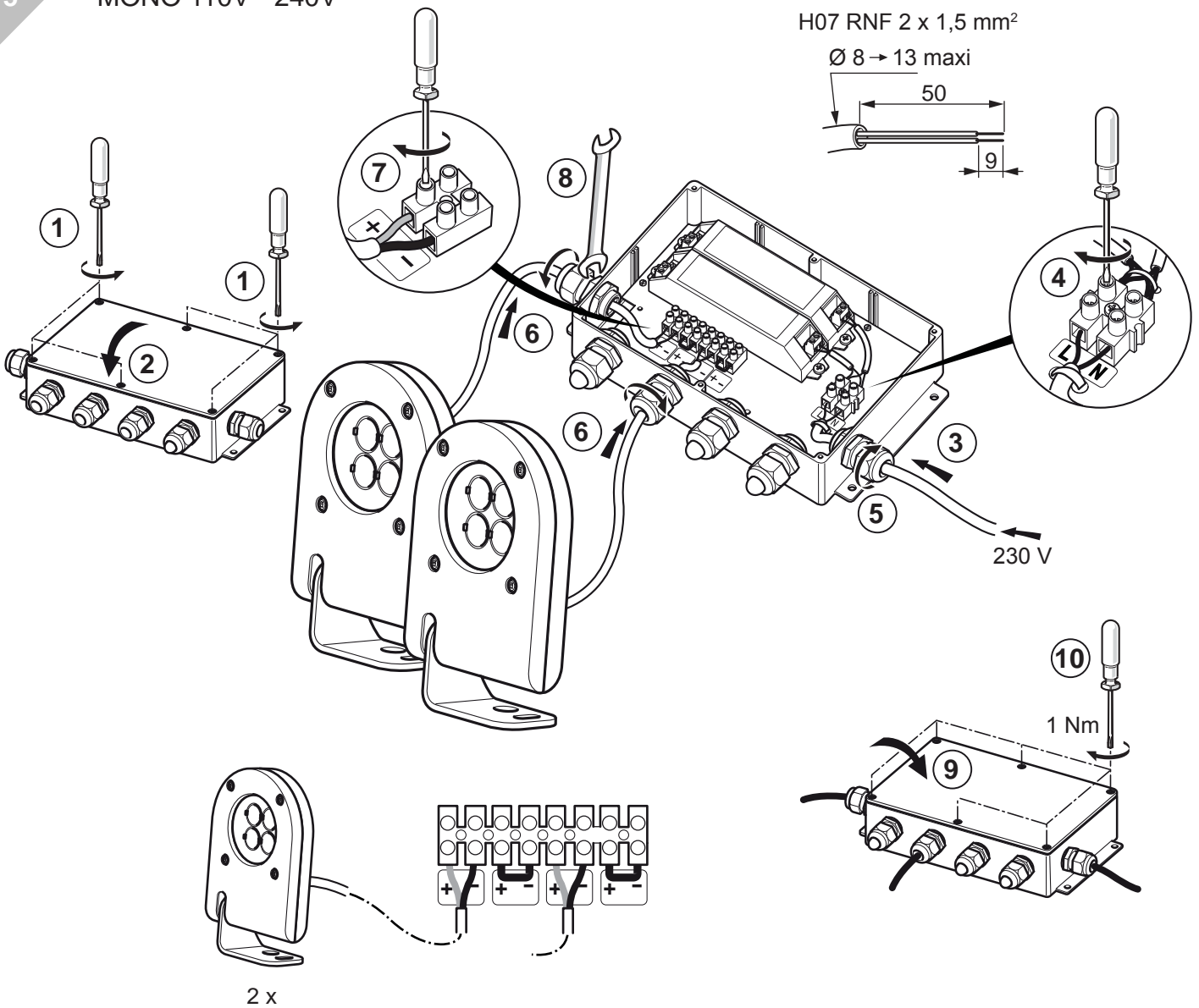
MONO 110V - 240V

H07 RNF 2 x 1,5 mm²

Ø 8 → 13 maxi

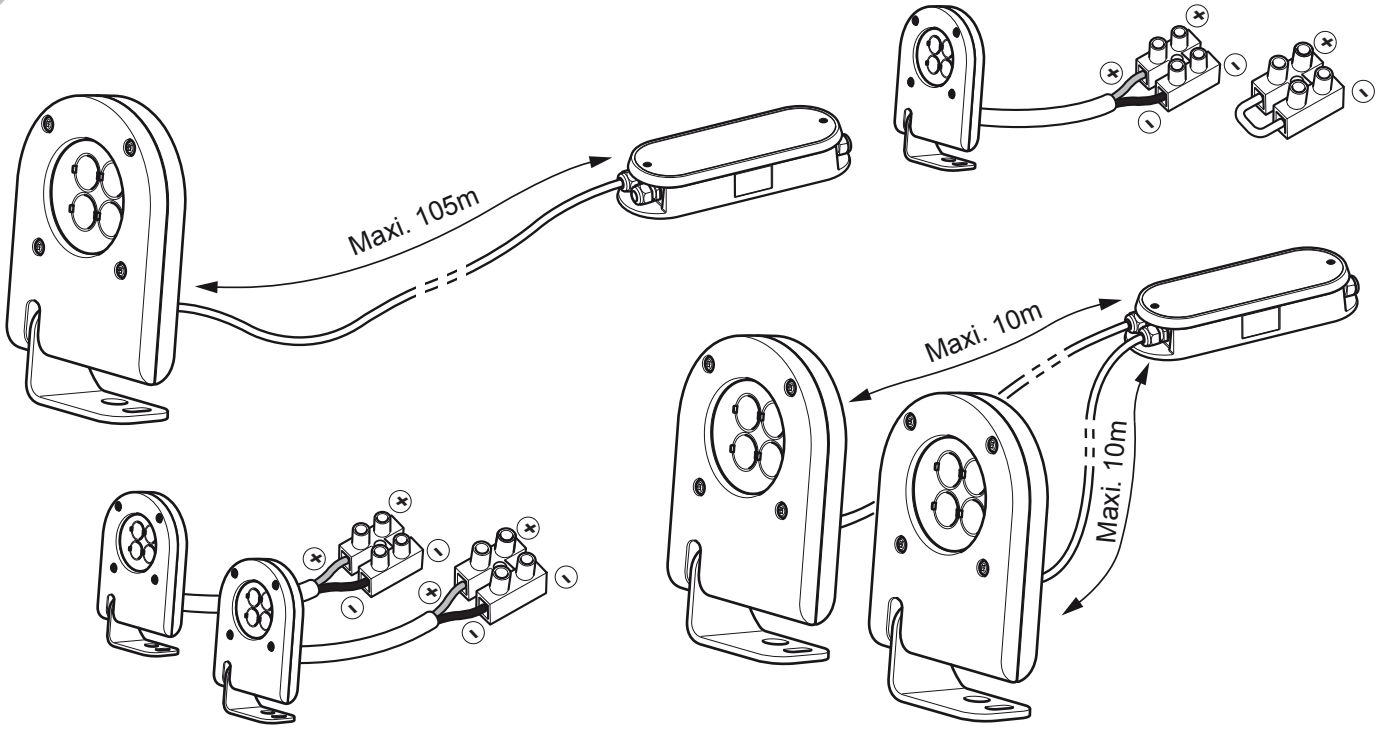
50

9



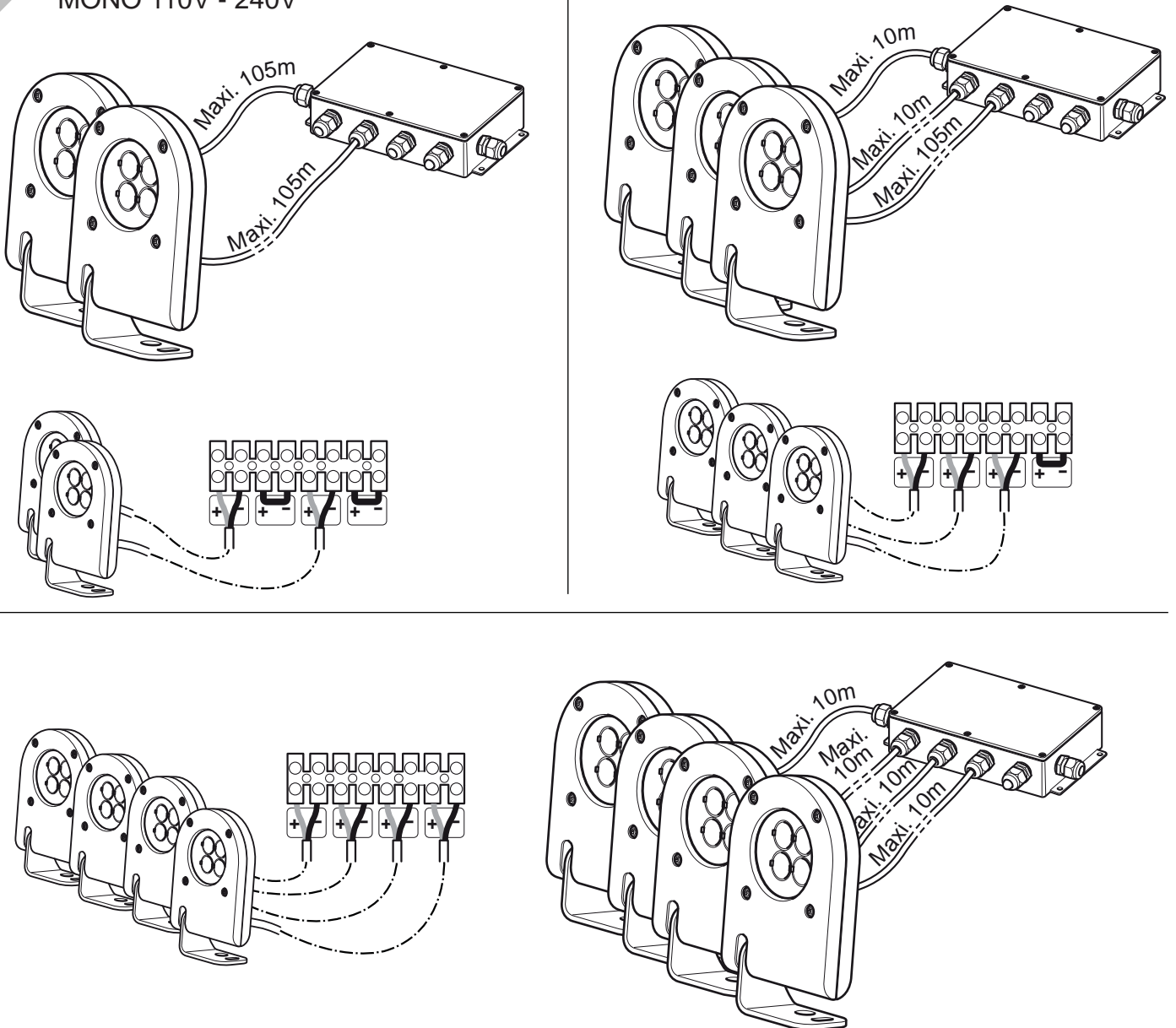
8

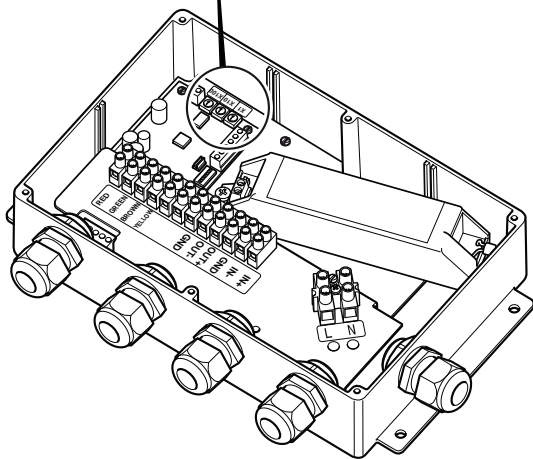
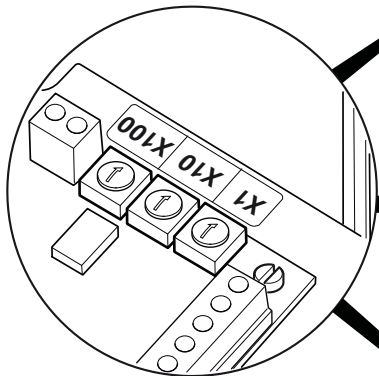
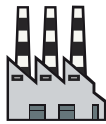
MONO 110V - 240V



9

MONO 110V - 240V





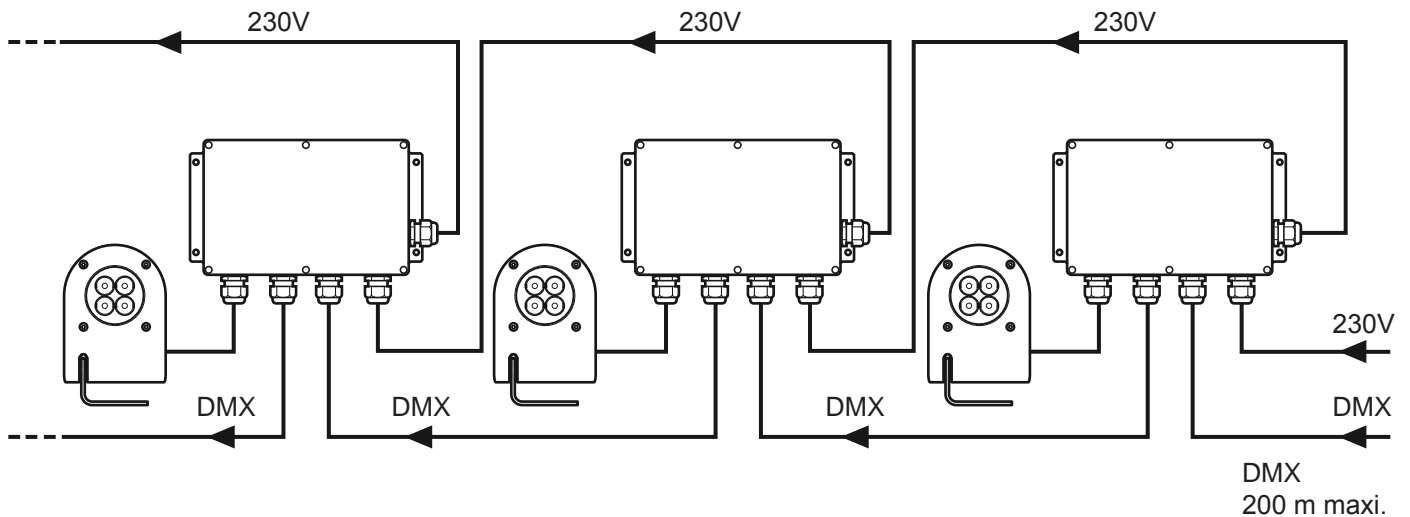
Address	100	10	1																										
	<table border="1"> <tr><td>1</td><td>2 3</td><td>4</td></tr> <tr><td>0</td><td>←</td><td>5</td></tr> <tr><td>9</td><td>8 7</td><td>6</td></tr> </table>	1	2 3	4	0	←	5	9	8 7	6	<table border="1"> <tr><td>1</td><td>2 3</td><td>4</td></tr> <tr><td>0</td><td>←</td><td>5</td></tr> <tr><td>9</td><td>8 7</td><td>6</td></tr> </table>	1	2 3	4	0	←	5	9	8 7	6	<table border="1"> <tr><td>1</td><td>2 3</td><td>4</td></tr> <tr><td>0</td><td>←</td><td>5</td></tr> <tr><td>9</td><td>8 7</td><td>6</td></tr> </table>	1	2 3	4	0	←	5	9	8 7
1	2 3	4																											
0	←	5																											
9	8 7	6																											
1	2 3	4																											
0	←	5																											
9	8 7	6																											
1	2 3	4																											
0	←	5																											
9	8 7	6																											
001	0 ←	0 ←	1 ↘																										

AUTOMATIC MODES

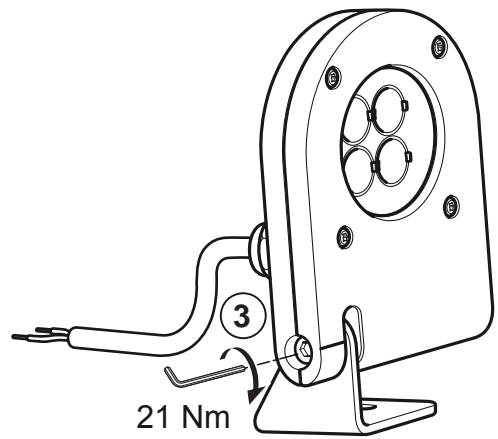
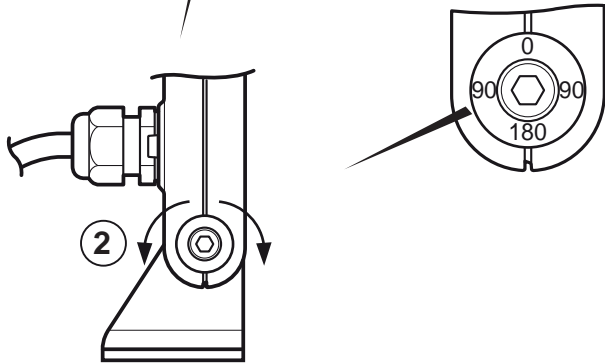
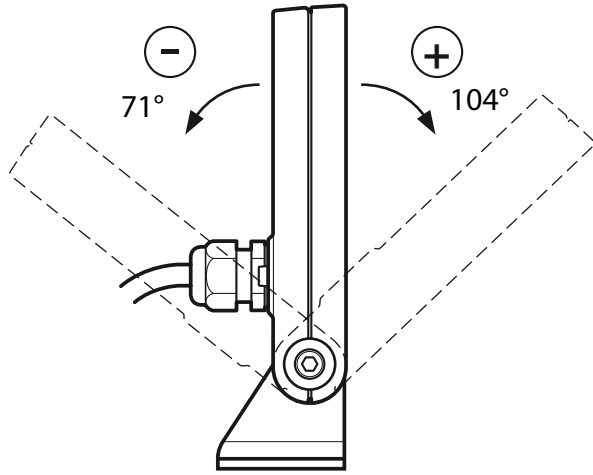
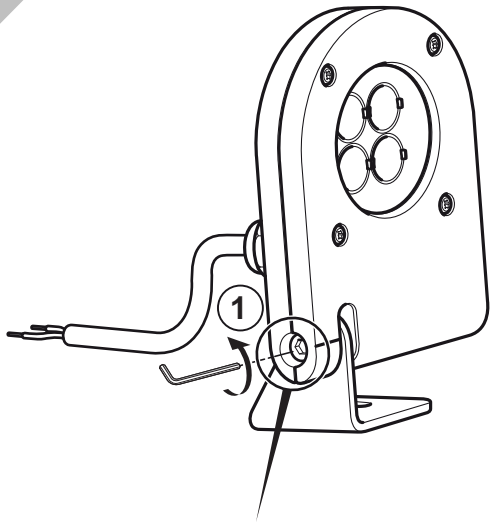
Mode	100	10	1																										
	<table border="1"> <tr><td>1</td><td>2 3</td><td>4</td></tr> <tr><td>0</td><td>←</td><td>5</td></tr> <tr><td>9</td><td>8 7</td><td>6</td></tr> </table>	1	2 3	4	0	←	5	9	8 7	6	<table border="1"> <tr><td>1</td><td>2 3</td><td>4</td></tr> <tr><td>0</td><td>←</td><td>5</td></tr> <tr><td>9</td><td>8 7</td><td>6</td></tr> </table>	1	2 3	4	0	←	5	9	8 7	6	<table border="1"> <tr><td>1</td><td>2 3</td><td>4</td></tr> <tr><td>0</td><td>←</td><td>5</td></tr> <tr><td>9</td><td>8 7</td><td>6</td></tr> </table>	1	2 3	4	0	←	5	9	8 7
1	2 3	4																											
0	←	5																											
9	8 7	6																											
1	2 3	4																											
0	←	5																											
9	8 7	6																											
1	2 3	4																											
0	←	5																											
9	8 7	6																											
Test	0	0	0																										
Rainbow RGB	6	1	0 → 9 																										
Pastel	6	2																											
Warm	6	3																											
Cold	6	4																											
Shiny	6	6																											

DMX ADDRESS EXAMPLE

Address	100	10	1																											
	<table border="1"> <tr><td>1</td><td>2 3</td><td>4</td></tr> <tr><td>0</td><td>←</td><td>5</td></tr> <tr><td>9</td><td>8 7</td><td>6</td></tr> </table>	1	2 3	4	0	←	5	9	8 7	6	<table border="1"> <tr><td>1</td><td>2 3</td><td>4</td></tr> <tr><td>0</td><td>←</td><td>5</td></tr> <tr><td>9</td><td>8 7</td><td>6</td></tr> </table>	1	2 3	4	0	←	5	9	8 7	6	<table border="1"> <tr><td>1</td><td>2 3</td><td>4</td></tr> <tr><td>0</td><td>←</td><td>5</td></tr> <tr><td>9</td><td>8 7</td><td>6</td></tr> </table>	1	2 3	4	0	←	5	9	8 7	6
1	2 3	4																												
0	←	5																												
9	8 7	6																												
1	2 3	4																												
0	←	5																												
9	8 7	6																												
1	2 3	4																												
0	←	5																												
9	8 7	6																												
059	<table border="1"> <tr><td>1</td><td>2 3</td><td>4</td></tr> <tr><td>0</td><td>←</td><td>5</td></tr> <tr><td>9</td><td>8 7</td><td>6</td></tr> </table>	1	2 3	4	0	←	5	9	8 7	6	<table border="1"> <tr><td>1</td><td>2 3</td><td>4</td></tr> <tr><td>0</td><td>→</td><td>5</td></tr> <tr><td>9</td><td>8 7</td><td>6</td></tr> </table>	1	2 3	4	0	→	5	9	8 7	6	<table border="1"> <tr><td>1</td><td>2 3</td><td>4</td></tr> <tr><td>0</td><td>↘</td><td>5</td></tr> <tr><td>9</td><td>8 7</td><td>6</td></tr> </table>	1	2 3	4	0	↘	5	9	8 7	6
1	2 3	4																												
0	←	5																												
9	8 7	6																												
1	2 3	4																												
0	→	5																												
9	8 7	6																												
1	2 3	4																												
0	↘	5																												
9	8 7	6																												
099	<table border="1"> <tr><td>1</td><td>2 3</td><td>4</td></tr> <tr><td>0</td><td>←</td><td>5</td></tr> <tr><td>9</td><td>8 7</td><td>6</td></tr> </table>	1	2 3	4	0	←	5	9	8 7	6	<table border="1"> <tr><td>1</td><td>2 3</td><td>4</td></tr> <tr><td>0</td><td>↘</td><td>5</td></tr> <tr><td>9</td><td>8 7</td><td>6</td></tr> </table>	1	2 3	4	0	↘	5	9	8 7	6	<table border="1"> <tr><td>1</td><td>2 3</td><td>4</td></tr> <tr><td>0</td><td>↘</td><td>5</td></tr> <tr><td>9</td><td>8 7</td><td>6</td></tr> </table>	1	2 3	4	0	↘	5	9	8 7	6
1	2 3	4																												
0	←	5																												
9	8 7	6																												
1	2 3	4																												
0	↘	5																												
9	8 7	6																												
1	2 3	4																												
0	↘	5																												
9	8 7	6																												
126	<table border="1"> <tr><td>1</td><td>2 3</td><td>4</td></tr> <tr><td>0</td><td>↘</td><td>5</td></tr> <tr><td>9</td><td>8 7</td><td>6</td></tr> </table>	1	2 3	4	0	↘	5	9	8 7	6	<table border="1"> <tr><td>1</td><td>2 3</td><td>4</td></tr> <tr><td>0</td><td>↘</td><td>5</td></tr> <tr><td>9</td><td>8 7</td><td>6</td></tr> </table>	1	2 3	4	0	↘	5	9	8 7	6	<table border="1"> <tr><td>1</td><td>2 3</td><td>4</td></tr> <tr><td>0</td><td>↘</td><td>5</td></tr> <tr><td>9</td><td>8 7</td><td>6</td></tr> </table>	1	2 3	4	0	↘	5	9	8 7	6
1	2 3	4																												
0	↘	5																												
9	8 7	6																												
1	2 3	4																												
0	↘	5																												
9	8 7	6																												
1	2 3	4																												
0	↘	5																												
9	8 7	6																												
154	<table border="1"> <tr><td>1</td><td>2 3</td><td>4</td></tr> <tr><td>0</td><td>↘</td><td>5</td></tr> <tr><td>9</td><td>8 7</td><td>6</td></tr> </table>	1	2 3	4	0	↘	5	9	8 7	6	<table border="1"> <tr><td>1</td><td>2 3</td><td>4</td></tr> <tr><td>0</td><td>→</td><td>5</td></tr> <tr><td>9</td><td>8 7</td><td>6</td></tr> </table>	1	2 3	4	0	→	5	9	8 7	6	<table border="1"> <tr><td>1</td><td>2 3</td><td>4</td></tr> <tr><td>0</td><td>↘</td><td>5</td></tr> <tr><td>9</td><td>8 7</td><td>6</td></tr> </table>	1	2 3	4	0	↘	5	9	8 7	6
1	2 3	4																												
0	↘	5																												
9	8 7	6																												
1	2 3	4																												
0	→	5																												
9	8 7	6																												
1	2 3	4																												
0	↘	5																												
9	8 7	6																												

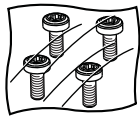
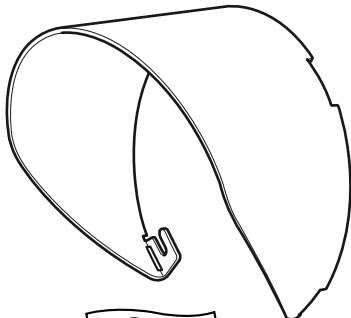


12



13

Code : 96261859



Code : 96261860

Code : 96261861

Code : 96261862

